



# COOKING EQUIPMENT

SERVING THE FOOD INDUSTRY SINCE 1951

## COUNTERTOP ELECTRIC PASTA COOKER WITH 6L (x2) CAPACITY

Item: 43559

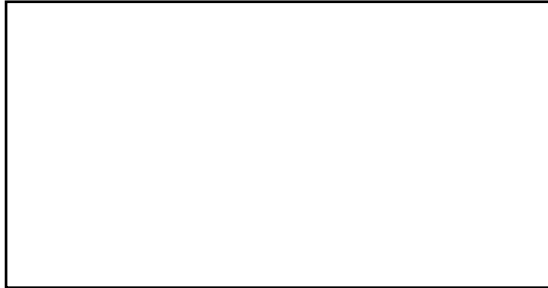
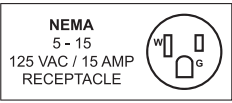
Model: CE-CN-0004-A



- ⊕ Durable stainless steel construction
- ⊕ 6L (x2) capacity
- ⊕ 4 baskets included
- ⊕ Non-slip rubber feet



**WARRANTY**  
PARTS AND LABOR



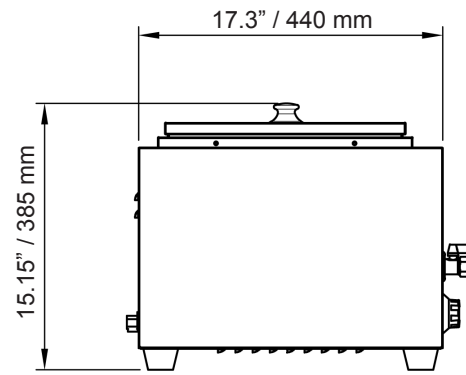
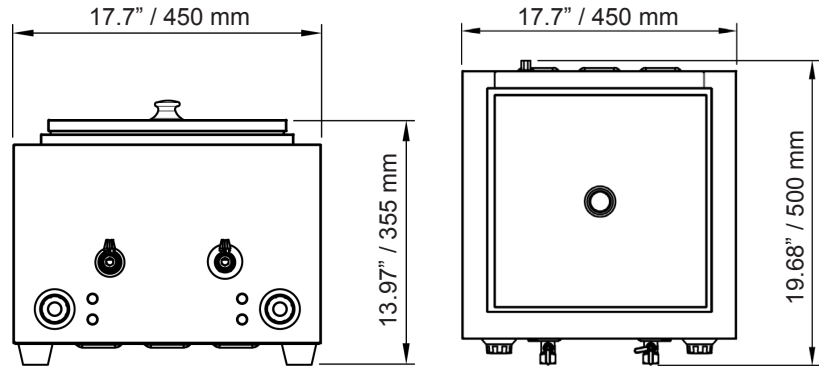
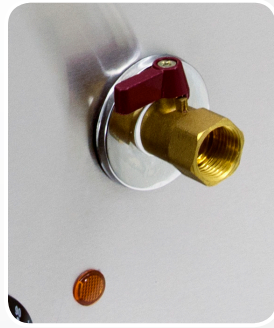
Authorized Dealer

# COOKING EQUIPMENT

COUNTERTOP ELECTRIC PASTA COOKER - 6L (x2) CAPACITY



## DETAILED IMAGES



## TECHNICAL SPECIFICATIONS

ITEM NUMBER	43559
MODEL	CE-CN-0004-A
CAPACITY	6L (x2)
NUMBER OF BASKET	4
BASKET DIMENSIONS	5.43 / 138 mm (Dia.), 5.5\"/>
MAX. TEMPERATURE	110°C / 230°F
POWER	1.2 + 1.2 kW
ELECTRICAL	120V / 60Hz / 1Ph
NET DIMENSIONS	17.7\"/>
GROSS DIMENSIONS	20.86\"/>
NET WEIGHT	25.7 lbs. / 11.65 kg.
GROSS WEIGHT	33 lbs. / 15 kg.



**WARRANTY**  
PARTS AND LABOR

NEMA  
5 - 15  
125 VAC / 15 AMP  
RECEPTACLE



**OMCAN INC.**

Telephone: 1-800-465-0234

Fax: (905) 607-0234

Email: [sales@omcan.com](mailto:sales@omcan.com)

Website: [www.omcan.com](http://www.omcan.com)



Follow us to keep up to date with the latest news and offers



2018.E.O.E